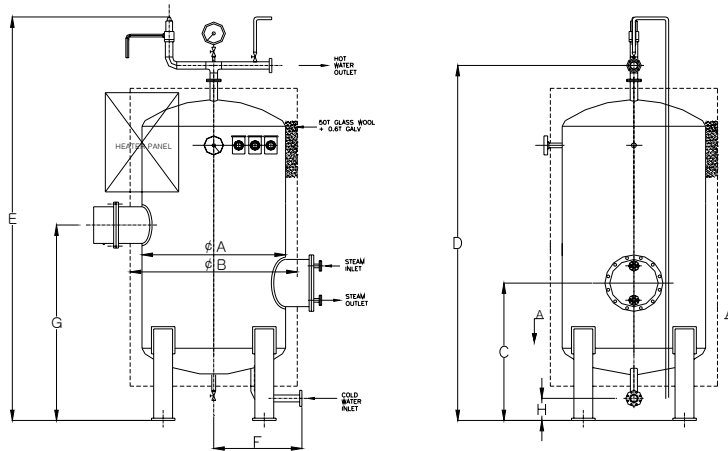
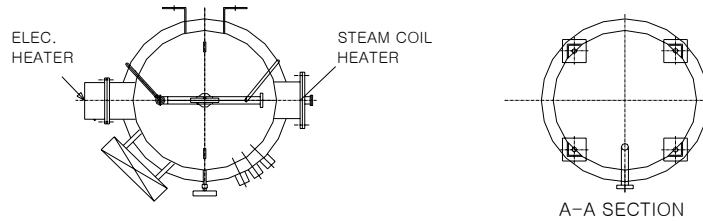


# HOT WATER CALORIFIER



DIMENSION TABLE

MODEL No.	STORAGE CAPACITY (L)	DIMENSION(mm)								WEIGHT (kg).abt
		A(∅)	B(∅)	C	D	E	F	G	H	
TWC200SE	200	480	580	490	1650	1850	370	795	100	250
TWC300SE	300	610	710	570	1630	1830	435	920	100	310
TWC400SE	400	640	740	580	1870	2070	450	930	100	380
TWC500SE	500	720	820	590	1890	2090	490	950	100	420
TWC600SE	600	750	850	620	1900	2240	510	1010	100	490
TW1000SE	1,000	970	1070	700	1900	2370	620	1110	150	600
TWC1500SE	1,500	1160	1260	740	2000	2550	720	1150	150	650
TWC2000SE	2,000	1270	1370	770	2100	2690	770	1200	150	750
TWC2500SE	2500	1410	1520	810	2180	2700	800	1250	170	920
TWC3000SE	3000	1500	1710	850	2250	2700	900	1300	170	1050
TWC3800SE	3800	1590	1710	850	2550	2800	900	1350	200	1250
TWC5000SE	5000	1800	1910	950	2650	2850	1000	1450	250	1630
TWC6000SE	6000	1910	2020	1000	2900	3100	1070	1550	300	1760

\* the specification are usbject to change without notice

\* MODEL : S = Steam coil heaters , E = Electric heaters



**TAE KWANG INDUSTRIES** BUSAN.KOREA